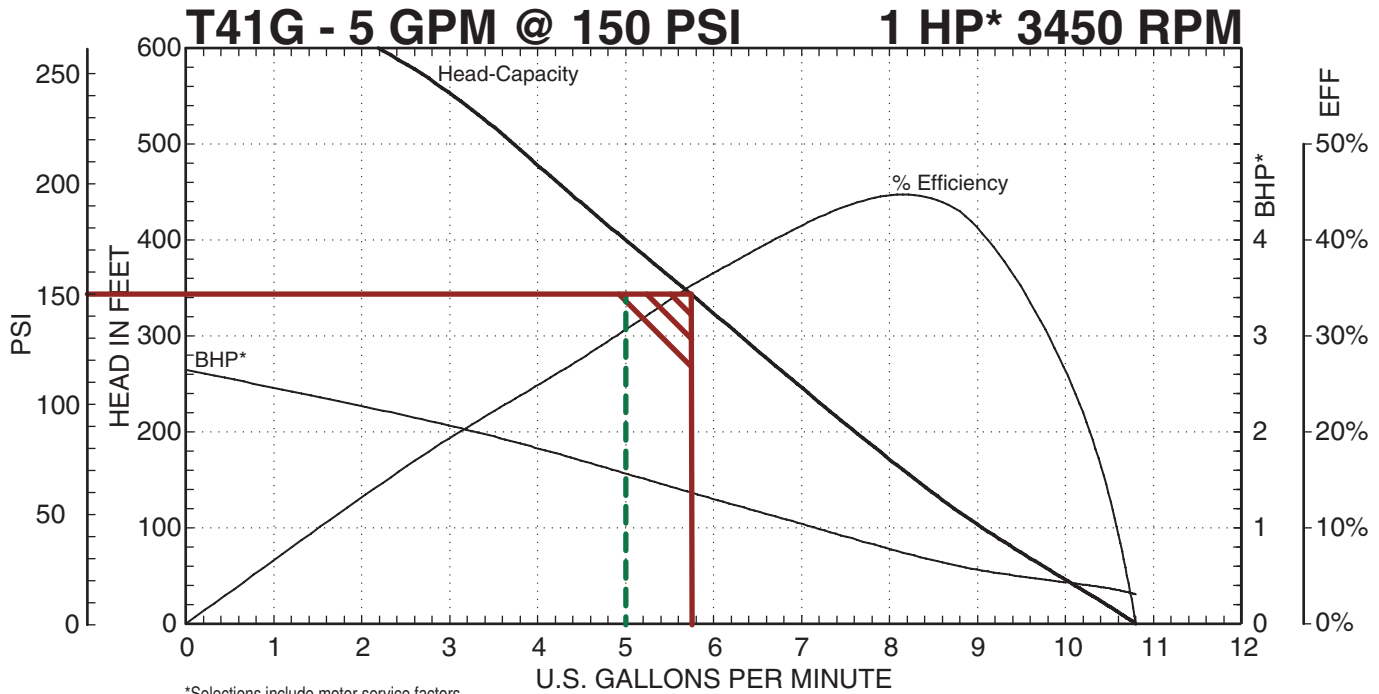
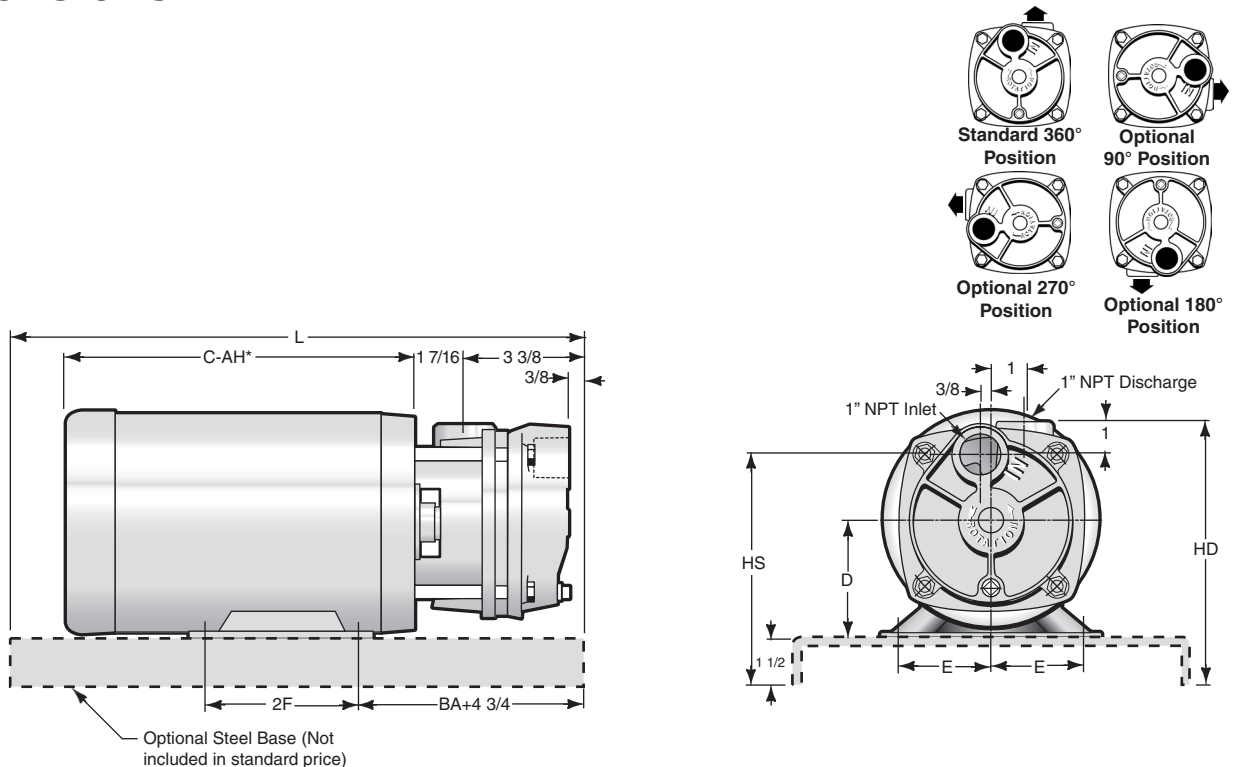


T41G Jockey Pump Submittal Sheet

Performance Curve



Dimensions



1 Horepower Motor Dimensions

FRAME	D	BA+4 3/4	2F	E	H	HS	HD	L
56 C	3 1/2	7 3/8	3	2 7/16	5/16 - 18	7	8	18

NOTES

All dimensions in inches. May vary \pm 1/4 inches.
 Not for construction purposes unless certified.
 *See motor dimensions for "C-AH" dimension
 (Varies depending on motor enclosure).

© Copyright 2019 MTH Tool Company, Inc.



401 West Main Street • Plano, IL 60545-1436
 Phone: 630-552-4115 • Fax: 630-552-3688
 Email: SALES@MTHPUMPS.COM
<http://WWW.MTHPUMPS.COM>

Dated February 2019

Horizontal Close Coupled Design Specifications

The contractor shall furnish (and install as shown on the plans) an MTH T41 Series horizontal close coupled regenerative turbine type pump model T41G size 1" by 1" of bronze fitted construction. Each pump shall have a capacity of ____ GPM when operating at a total PSI of _____. Suction pressure will be ____ feet with a liquid temperature of ____°F.

The pump is to be furnished with a mechanical seal with stainless steel metal parts, Buna elastomers, ceramic seat and carbon washer. A stainless steel shaft or a shaft sleeve shall be furnished in pumps up to three horsepower and a 316 stainless steel shaft in pumps five horsepower and larger.

The pump casing shall be vertically split two piece, end suction and top discharge with water passageways accurately machined into each piece. The impeller shall be hydraulically self centering and no external adjustment shall be necessary.

The pump shall be close coupled to a standard NEMA "C" face 1 HP ____ phase ____ Hertz ____ voltage ____ RPM horizontal open drip proof motor. The motor shall be sized to prevent overloading at the highest head condition listed in the specifications.

1-Phase Bills of Materials

Item ID: 8C-T410GBFSCXSAXX-C011AD		
Item Description: T410G BF T21 Cer C/C 1 HP 1/60/115/208-230V 3450 RPM ODP Motor		
Item Number	Description	Qty Needed
12-1068-01-457	Type 21 Rotating Element .875" Buna Seal	1
1-2217-0G-543	T41 G Motor Bracket, Teflon Coated	1
2-2207-0G-543	T41 G Cover, Teflon Coated	1
17-1390-01-181	Sleeve, Shaft, Brass	1
15-1168-01-104	Setscrew, 18-8 SS	2
125-1282-01-592	Seal Seat, 0.875 Ceramic, O-Ring Style	1
22-4265-01-101	Plug, 1/8 SAE	1
135-1179-01-457	O Ring, -218 Buna Included w/ Seat	1
7-3970-01-457	O Ring, .902 Buna (Drain Plug)	1
7-2479-01-457	O Ring, -159 Buna	1
DLC-1246-01-ODP	Motor, 56C-Face, DLT Electric, 1 HP, 1 Phase, 2 Poles, ODP CC	1
19-1997-01-080	Machine Bolt, 3/8-16 + 4"L	4
23-1487-01-080	Key, Sleeve	1
11-2227-0G-206	Impeller, T41G Bronze	1
23-1022-01-104	Drive Key, 316SS	1
14-1049-01-080	Drive Collar	1

1-Phase Motor Nameplate

HP 1	SF 1.40	PH 1
HZ 60	RPM 3450	INS B
VAC 115/208-230	FR 56C	MAX AMB 40C
FLA 12.2/6.2-6.1	ENC ODP	KVA CODE P
SFA 16.6/8.4-7.8	DUTY CONT	
HP 1	SF 1.0	PH 1
HZ 50	RPM 2850	MAX AMB 40C
VAC 100-110/200-220		DUTY CONT
FLA 13.8-14.31/6.65-7.53		

DLT Electric, LLC
202 West Main Street • Plano, IL 60545

PN: DLC-1246-01-ODP-G SN: C09-UL-10

WARNING
ALWAYS DISCONNECT MOTOR FROM POWER BEFORE SERVICING
THERMALLY PROTECTED AUTOMATIC RESET
MOTOR WILL RESTART WITHOUT WARNING
AFTER PROTECTOR TRIPS. DO NOT INSTALL THIS MOTOR ON EQUIPMENT WHERE AUTOMATIC START UP COULD RESULT IN INJURY

GROUNDING
FATAL ELECTRICAL SHOCK MAY RESULT IF MOTOR FRAME AND ADJACENT METAL IS NOT GROUNDED IN COMPLIANCE WITH ELECTRICAL CODE.

NOTE: NUT REQUIRED WITH CONDUIT FITTING

RoHS

3-Phase Bills of Materials

Item ID: 8C-T410EBFSCXSAXX-C019ED		
Item Description: T410E BF T21 Cer C/C 3/4 HP 3/60/208-230/460V 3450 RPM ODP motor		
Item Number	Description	Qty Needed
12-1068-01-457	Type 21 Rotating Element .875" Buna Seal	1
1-2217-0G-543	T41 G Motor Bracket, Teflon Coated	1
2-2207-0G-543	T41 G Cover, Teflon Coated	1
17-1390-01-181	Sleeve, Shaft, Brass	1
15-1168-01-104	Setscrew, 18-8 SS	2
125-1282-01-592	Seal Seat, 0.875 Ceramic, O-Ring Style	1
22-4265-01-101	Plug, 1/8 SAE	1
135-1179-01-457	O Ring, -218 Buna Included w/ Seat	1
7-3970-01-457	O Ring, .902 Buna (Drain Plug)	1
7-2479-01-457	O Ring, -159 Buna	1
FRC-1254-01-ODP	1 HP 3/60/230/460V 3450 RPM ODP Bluffton [3/50/190/380-2880]	1
19-1997-01-080	Machine Bolt, 3/8-16 + 4"L	4
23-1487-01-080	Key, Sleeve	1
11-2227-0G-206	Impeller, T41G Bronze	1
23-1022-01-104	Drive Key, 316SS	1
14-1049-01-080	Drive Collar	1

3-Phase Motor Nameplate

BLUFFTON MOTOR WORKS

410 E. Spring St.
Bluffton, Indiana 46714

Blank

MOD 1303017167
REF 1254-01-ODP

60 HZ	50 HZ	FR 56C	PH 3
HP 1	1	INS B	INS B
RPM 3450	2875	ENC D P	
V 208-230/460	190-220/380-440	TIME RATE CONT	
FLA 3.0-2.8/1.4	3.2-3.0/1.6-1.5	L	
SF 1.4	1.0	INS CODE	
SFA 3.9-3.6/1.8	Blank	DATE CODE	

Blank

LOW VOLTAGE

L1 1 7
L2 2 8 5 4 6
L3 3 9

HIGH VOLTAGE

L1 1 4 7
L2 2 5 8
L3 3 6 9

WARNING - Always disconnect motor from power supply before servicing.
MOTOR CONTAINS NO THERMAL PROTECTOR - Separate over current protection must be provided to prevent burnout and possible fire hazard from overload or stalled motor.
GROUNDING - Fatal electrical shock may result if motor frame and adjacent metal are not grounded in compliance with electrical code.

241536 E49787 IP23
Made in USA



401 West Main Street • Plano, IL 60545-1436
Phone: 630-552-4115 • Fax: 630-552-3688
Email: SALES@MTHPUMPS.COM
http://WWW.MTHPUMPS.COM